

EZDOCK



DOCK

Life

A *Better Option* THAN THE TRADITIONAL WOODEN DOCK



Flexibility and strength allow each piece of an EZ Dock to move independently, even in rough waters or bad weather.

Our unique coupling design lets you create a residential or commercial dock to fit your specific needs. Easy to install and customizable, your EZ Dock can evolve over time as your needs change, with easily configurable products.



DOCKS

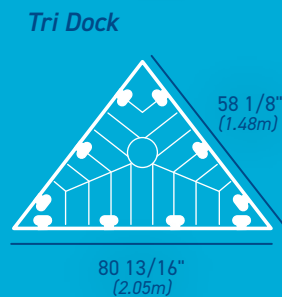
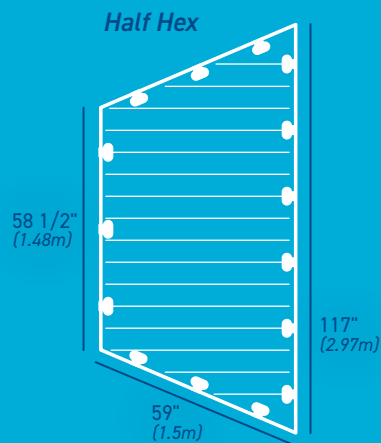
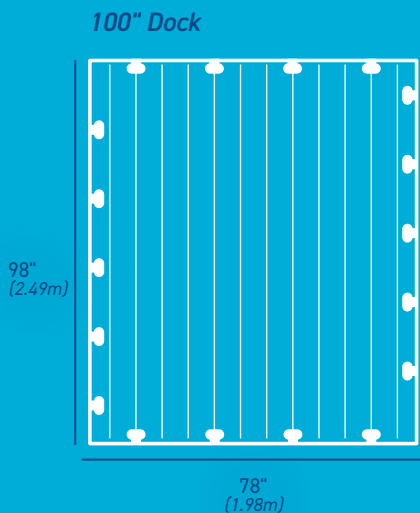
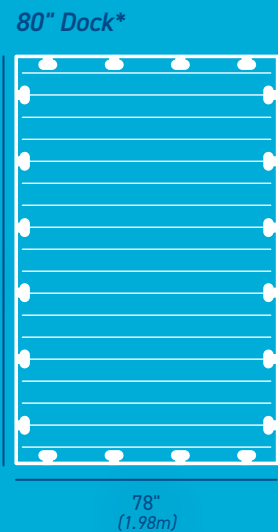
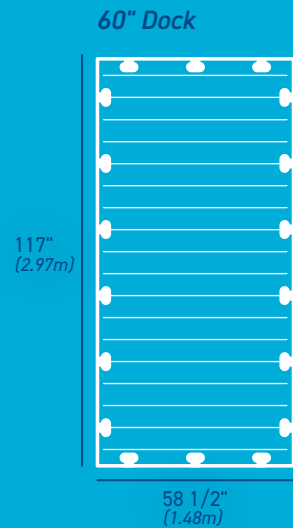
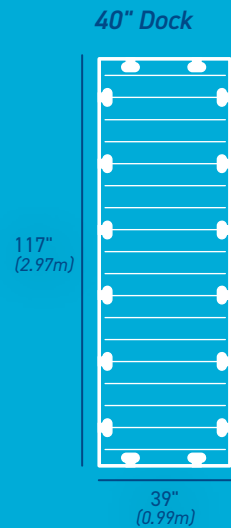
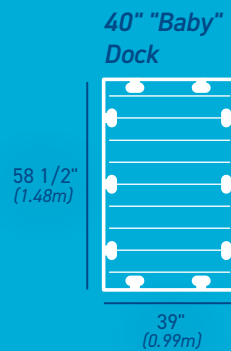
PORTS

LIFTS

EZ LAUNCHES

ACCESSORIES

# SECTIONS BUILDING BLOCKS TO YOUR DOCK *Life*



- Single dock sections made of linear low-density polyethylene (LLDPE)
- UV Ray resistant
- Slip resistant pattern
- Unique pylon (chamber) design provides strength and stability
- Rotationally molded, to allow no seams
- 62.5 lbs. per square foot of flotation, including dead load
- Standard dock - 14 5/8" (37.14cm) tall
- Low Profile dock - 7 5/8" (19.36cm) tall

\*available in low-profile

More information on dock sections



DOCKS

PORTS

LIFTS

EZ LAUNCHES

ACCESSORIES

# COUPLERS

Our "Dog Bone" coupler is what sets us apart from the rest. Designed for connecting your EZ Dock system with flexibility and strength so that, even in rough waters or bad weather, each piece of the dock will move independently and keep the whole structure intact.

With our unique coupling design, you can customize your EZ Dock residential or commercial dock to fit your specific needs, including ADA compliance.



## THE DOCK *Connection* THAT MAKES US THE *Best in the Industry*

- The original designers of our unique coupler shape
- Made of 100% recycled, rubber tires
- Heavy-duty, rust-resistant composite nuts and coupler bolts
- Strength and durability in the harshest weather conditions
- 30+ years of proven performance in the market



More information  
on couplers

PORTS

LIFTS

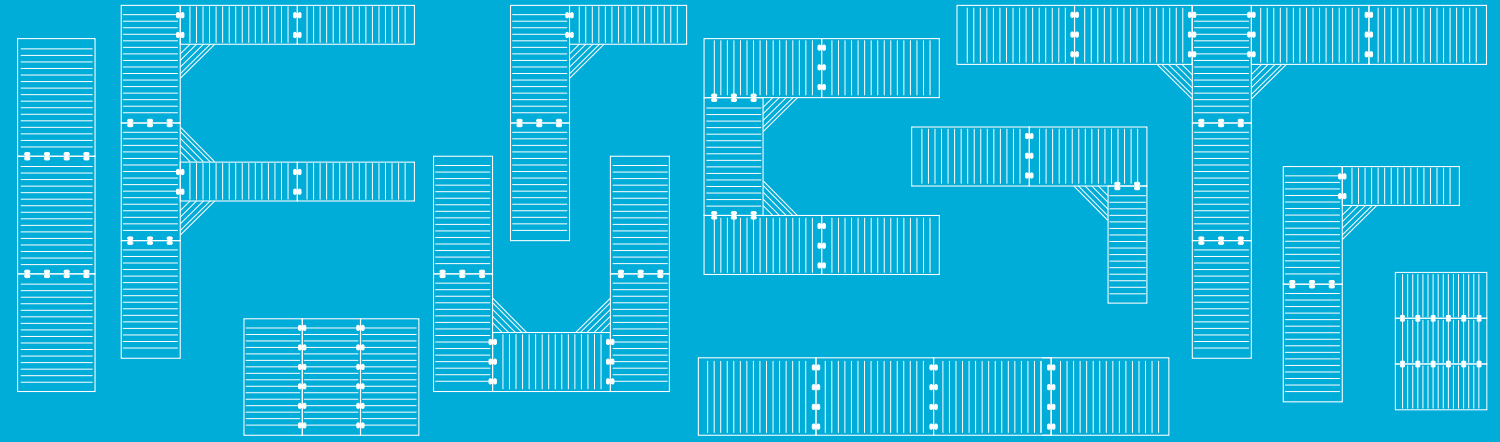
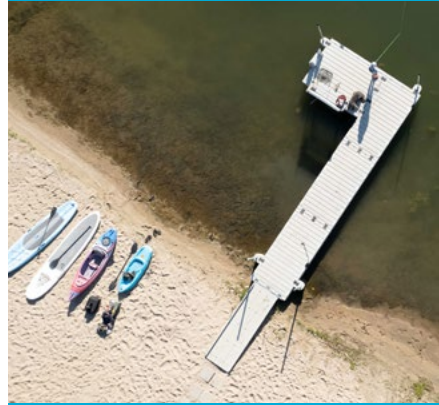
EZ LAUNCHES

ACCESSORIES

# CONFIGURATIONS

WHATEVER  
YOU NEED

*Big* OR SMALL



Our unique coupling design lets you create a residential or commercial dock to fit your specific needs. Easy to install and customizable, your EZ Dock can evolve over time as your needs change, with easily configurable products, additional dock sections and accessories.

*More information on dock configurations*



PORTS

LIFTS

EZ LAUNCHES

ACCESSORIES

# LOW PROFILE



## GET *Low & Row*

The low-profile dock adds a fun element to any waterfront, creating a perfect place for rowing, kayaking, swimming, fishing, and boating. With a low freeboard height, everyone will enjoy the ease of getting in and out of the water.

- **Ideal for rowing enthusiasts, exceeds FISA and US Rowing standards**
- **Modular design for easy installation**
- **Attachable to standard EZ Dock system or traditional docks**
- **High live-load capacity allows for multiple launches on both sides**

Low Profile dock height

7 5/8"  
(19.36cm)



Standard dock height

14 5/8"  
(37.14cm)



More information  
on low profile



PORTS

LIFTS

EZ LAUNCHES

ACCESSORIES

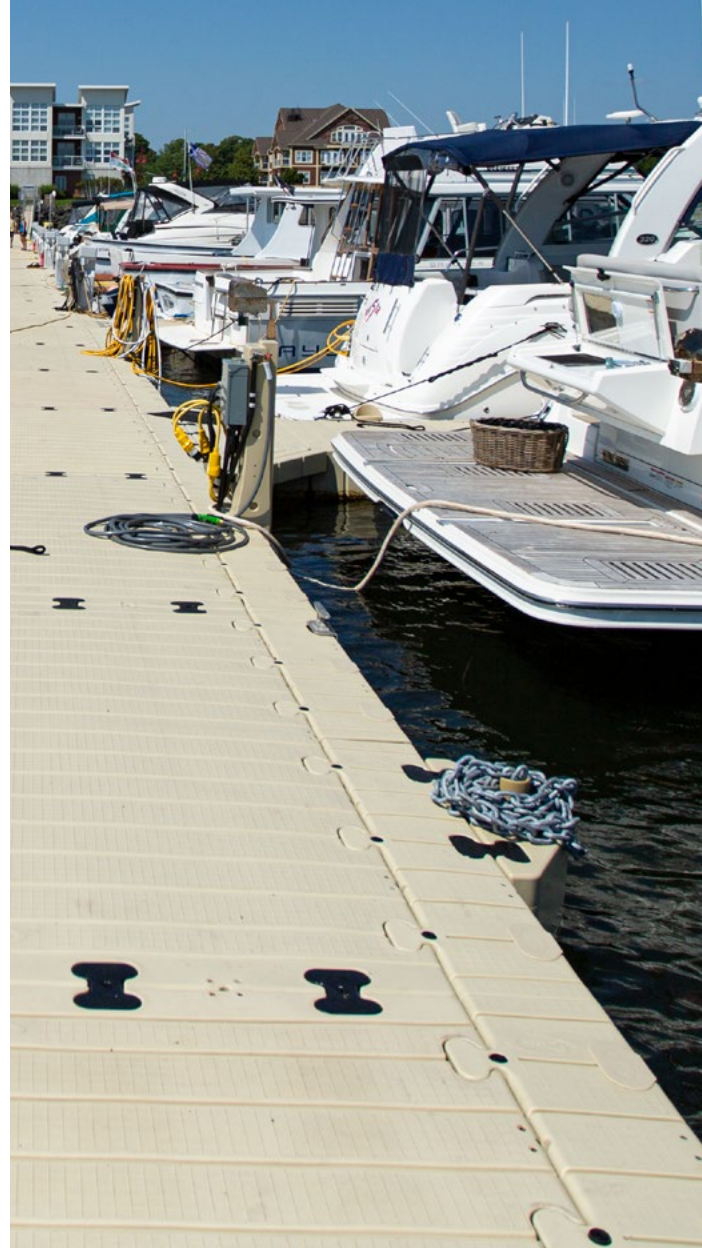
# ANCHORING

Rocky bottom? Changing tides? A wide variety of anchoring components can accommodate most water conditions and bottoms. Easy to install, EZ Dock anchoring products are made from long-lasting, durable materials that can accommodate standard or heavy-duty use.



STAY PUT  
IN ANY *Water*

More information  
on anchoring



PORTS

LIFTS

EZ LAUNCHES

ACCESSORIES

# TRAILS

Get to your woodlands and wetlands with a less invasive, secure system. You can easily add sections as needed or reconfigure your walkway any time you'd like.

**ENVIRONMENTALLY FRIENDLY**  
Treated wood products can be dangerous to wildlife habitats because they deteriorate, break apart, and leave debris in the water, but EZ Dock uses only safe, nontoxic materials. EZ Trail can be suspended above vegetation during periods of low water, keeping it from harming the habitat. The system is less invasive as it doesn't require a permanent foundation, allowing for healthy plant growth.

**EXPLORE** *Nature* **IN A WHOLE NEW WAY**

**PORTS**

**LIFTS**

**EZ LAUNCHES**

**ACCESSORIES**



# PERSONAL WATERCRAFT

Our modular configurations work with WaveRunners®, Sea-Doo®, and Jet Ski® watercraft, large and small.

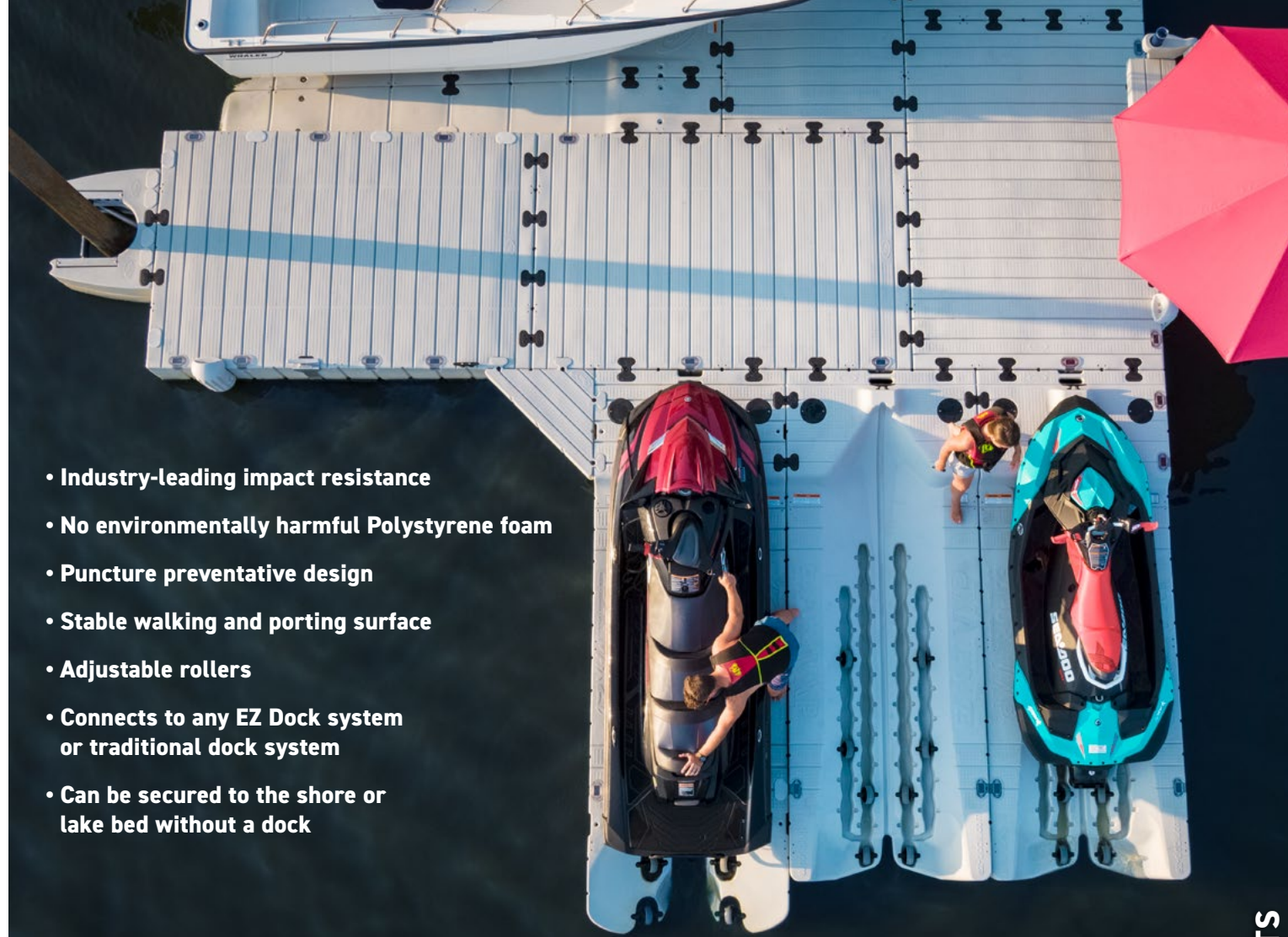
We revolutionized PWC docking and launching with the creation of EZ Port®, the original, drive-on, push-off PWC port. Our patented design pioneered the use of adaptable rollers and perfected the self-centering split entry.

FLOAT YOUR

Toys



- Industry-leading impact resistance
- No environmentally harmful Polystyrene foam
- Puncture preventative design
- Stable walking and porting surface
- Adjustable rollers
- Connects to any EZ Dock system or traditional dock system
- Can be secured to the shore or lake bed without a dock



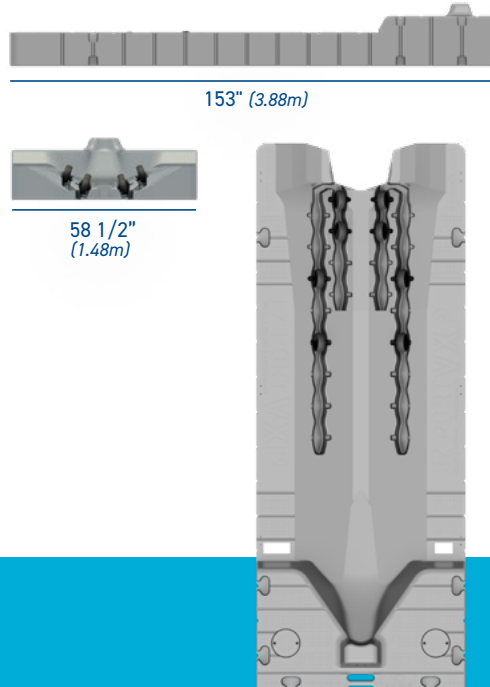
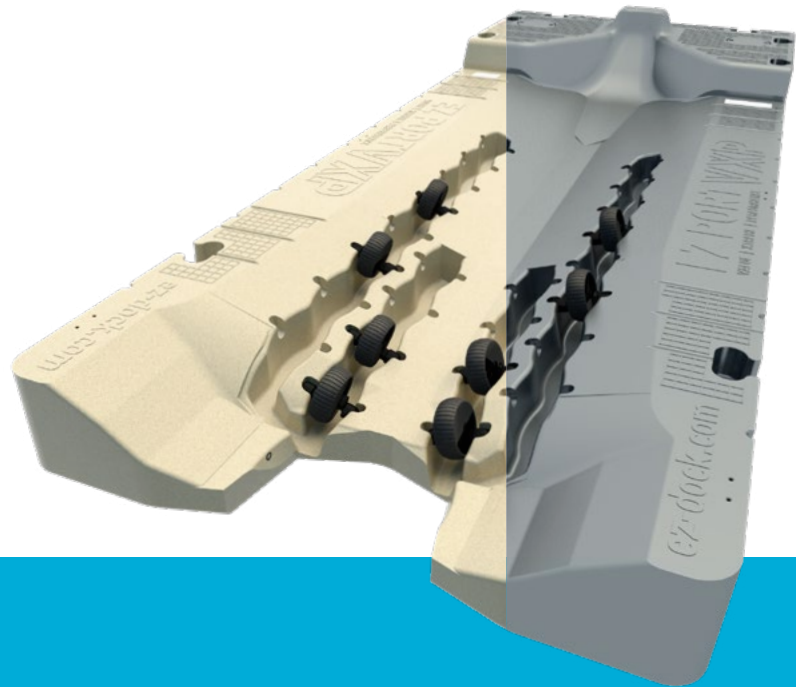
PORTS

LIFTS

EZ LAUNCHES

ACCESSORIES

# VXP



The EZ Port VXP gives you real peace of mind knowing that your PWC is well-protected against the weather, waves, wakes, or sinking at the dock. It makes cleaning, maintaining, and boarding your PWC as effortless as easing it onto the port or into the water. The VXP connects seamlessly with any EZ Dock system, is compatible with all existing docks and can be secured to the shore or lake bed without a dock. The VXP is a small PWC launch designed to accommodate virtually any brand or type of recreational and rec-lite PWC's.



**A PORT FOR**  
*Everyone*

More information on EZ Port VXP

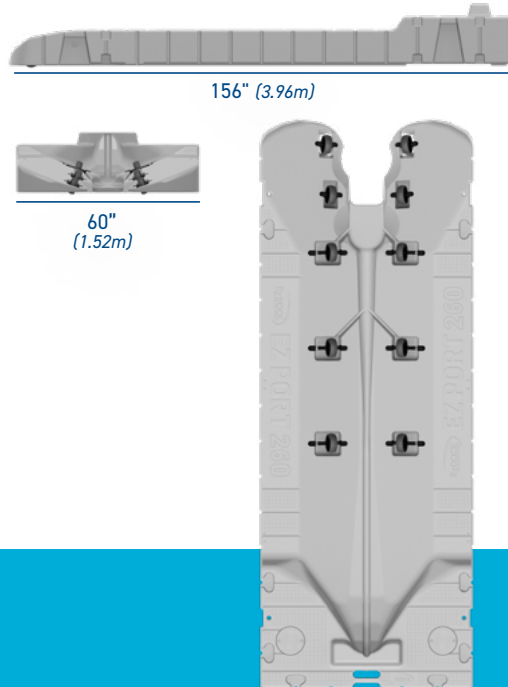
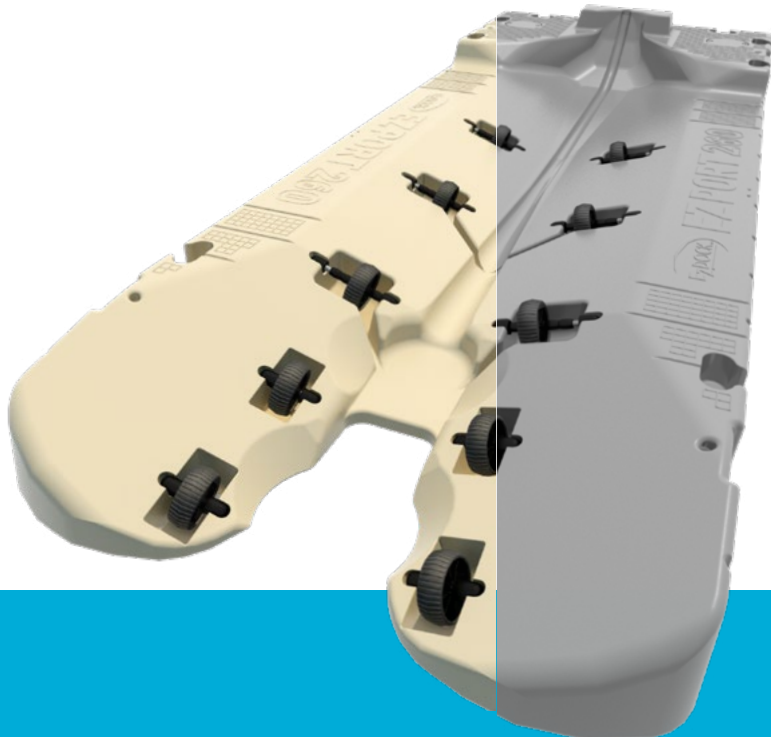


LIFTS

EZ LAUNCHES

ACCESSORIES

260



The NEW EZ Port 260 is the little brother to the wide 280. The same roller configuration in a narrower body. Same ease of loading and unloading. The same protection against the weather, waves, wakes, or sinking at the dock. It connects with any EZ Dock system, as well as other existing docks.



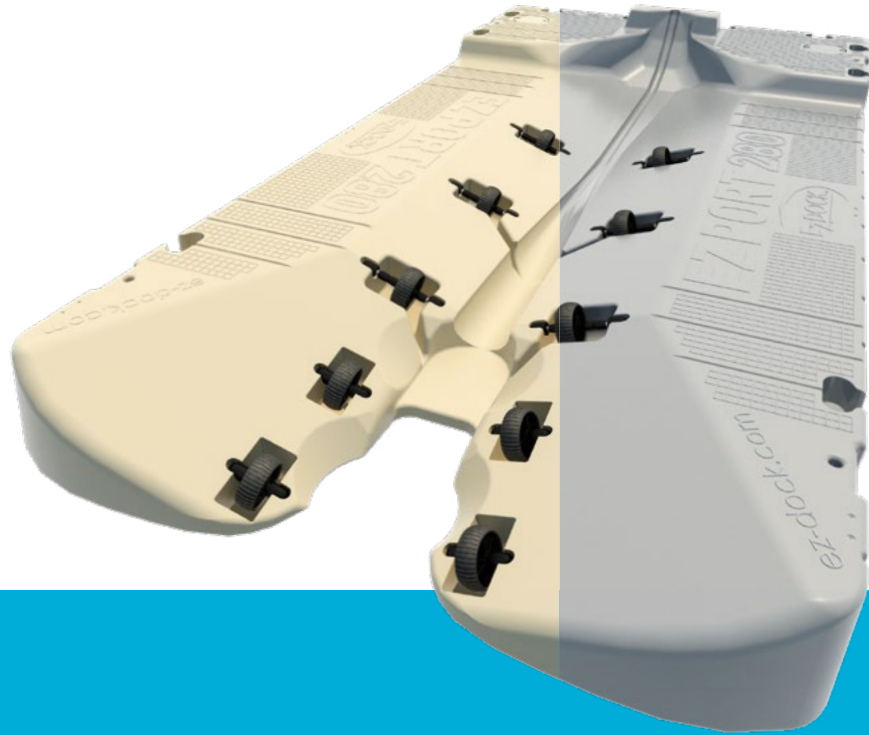
THE  
*New* KID

More information on EZ Port 260



LIFTS  
EZ LAUNCHES  
ACCESSORIES

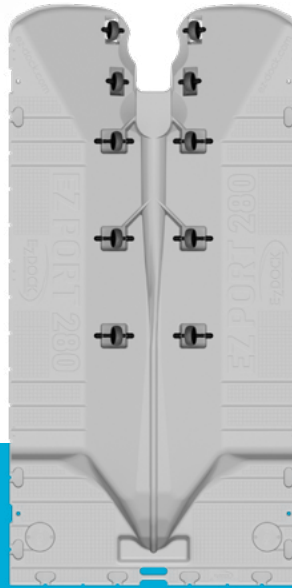
280



156" (3.96m)



78" (1.98m)



The EZ Port 280 wide body design is the widest port on the market. With 10" additional walkway space on each side of the craft that makes loading and unloading effortless, no matter the type of waterfront location. The EZ Port 280 is the perfect solution for those looking for an easy-to-access, drive-on port to keep their PWC high and dry in both saltwater and freshwater.



**THE**  
*Widest*  
**ON THE**  
**MARKET**

More information on EZ Port 280

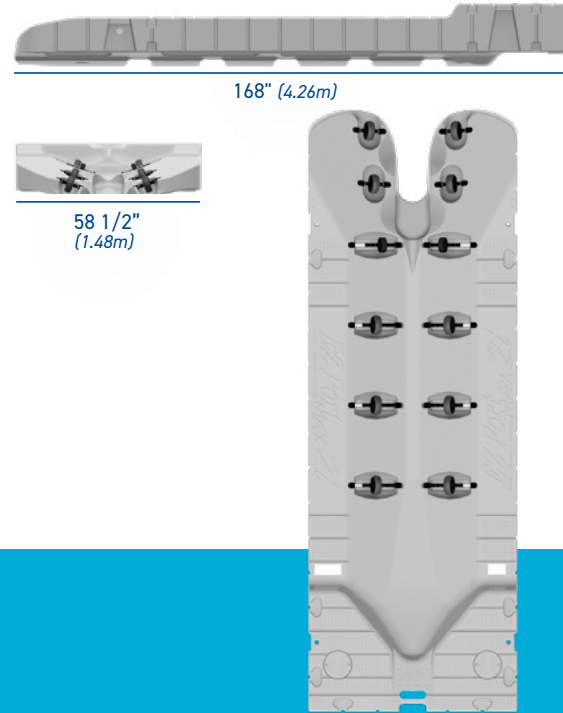
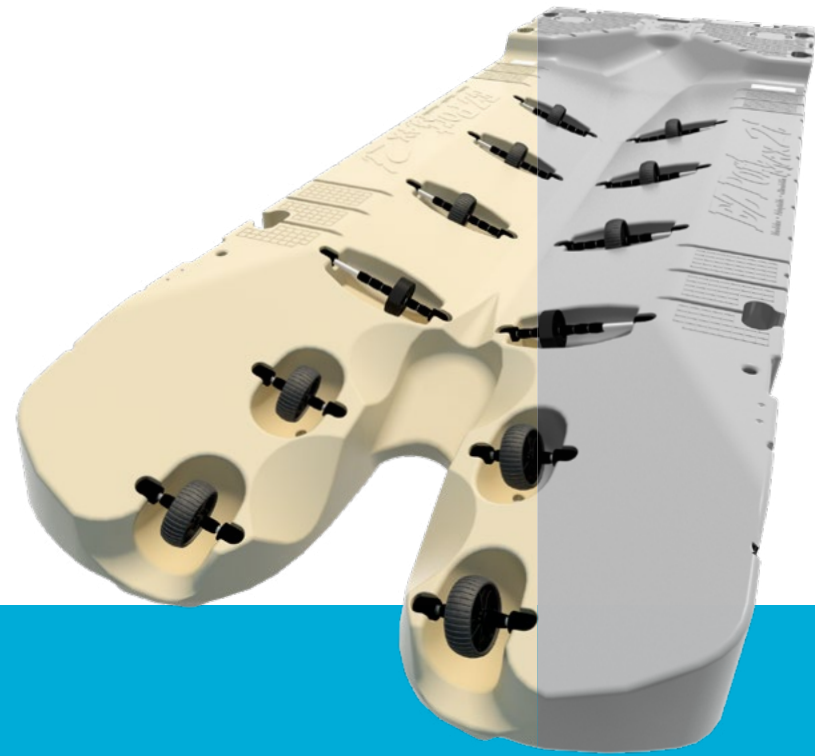


LIFTS

EZ LAUNCHES

ACCESSORIES

2i



The original drive-on PWC port, this top-of-the-line PWC port is the most simple and most durable drive-on, push-off method of dry docking. The EZ Port Max 2i is a single-piece, self-centering design with split entry and self-adjusting rollers that make loading and unloading smooth and effortless.

The EZ Port Max 2i features an integrated built-in flotation device designed for heavy lifting. It has an easy entry and roller system to allow for effortless porting and launching some of the largest PWC units currently on the market. The EZ Port Max 2i also features five hand-hold/tie-off points to allow for easy handling and/or mooring.



**TOP  
OF THE  
Water  
LINE**

More information on EZ Port 2i



LIFTS

EZ LAUNCHES

ACCESSORIES

# EZ PORT MAX

The EZ Port MAX is our flexible port system. This expandable, adjustable, and modular system is ideal for multiple PWC's. Perfect for businesses that rent PWC's, this unique port system can accommodate all shapes, sizes, and weights. Maximize slip spaces with tandem inline PWC's that help you accommodate more per slip.

## LOAD UP YOUR *Fleet*



More information  
on EZ Port Max

LIFTS

EZ LAUNCHES

ACCESSORIES

# EZ BOATPORT



Keep your boat safe from wakes and waves that can cause serious damage. Stopping marine growth that can quickly coat boats left in the water will prevent drag on the water and your wallet. Less hull maintenance like reduced scraping, sanding, pressure washing, or applying anti-foul, means more savings in the long run.



KEEP YOUR  
*Boat*  
CLEAN,  
SAFE & DRY

More information on EZ BoatPorts



LIFTS  
EZ LAUNCHES  
ACCESSORIES

# AEGIS

The Aegis provides fast and convenient access to your boat and keeps it looking new. EZ Dock offers a complete system along with new air assist pumps in both 110 volt and solar models. Each boat lift is available with a manual control that is placed near the lift or with a remote control. The lift raises to keep the boat out of the water and free from marine growth on the hull. This lift allows you to keep your boat/investment looking brand new for years to come.

- Custom-molded LLDPE, high-impact polyethylene tanks
- Above-water, hot-dipped, galvanized steel parts to prevent corrosion
- Highly resistant to impact and low-water damage
- Work with inboard, inboard/outboard or stern drive, V hulls, pontoon, tritoon, and wake boat hulls
- Prevents marine growth from accumulating on out drives
- Easy access to your boat when raised, for easy maintenance
- Heavy-duty hull-support system
- Structural-grade dock brackets with molded bumper guards

GIVE YOUR **BOAT**  
SOME *Air*



More information  
on Aegis



LIFTS

EZ LAUNCHES

ACCESSORIES



# RESIDENTIAL EZ KAYAK LAUNCH

The innovative new one-piece design of the Residential EZ Launch, complete with built-in launch-assist paddle notches, makes this the smartest way to stay dry while entering and exiting your kayak or canoe. Whether you are an experienced kayaker or just getting started, you will feel confident and stable.



More information on  
Residential EZ Kayak Launch

- Allows users a stable and dry entry into the water
- Launch-assist paddle notches for support in kayak entry & exit
- Ability to connect to virtually any dock
- Great for canoes and stand up paddle boards too!

ENJOY  
*Paddling*  
ANYWHERE

EZ LAUNCHES

ACCESSORIES

# COMMERCIAL EZ LAUNCH



ACCESS FOR  
*Everyone*



More information on  
Commercial EZ Kayak Launch

A first in the industry, the EZ Launch Accessible Transfer System for kayaks and canoes provides individuals with disabilities accessibility that exceeds the minimum requirements of the Americans with Disabilities Act (ADA). Simply sit, slide over, and drop down, then use the side rails to pull off or back on. The customizable system is ideal for people of ALL abilities.

- **Guide rails for easy access in and out of the water**
- **Launch rollers for easy movement of the watercraft**
- **Transfer bench with two heights for easy transfer from wheelchairs**
- **Transfer slide boards with two heights for differing watercraft sizes**
- **Perfect for high-traffic, public use**



ACCESSORIES

# Customize YOUR DOCK, FOR YOUR *Life*

Designed with the same durability, safety, and quality as the docks, our accessories withstand the toughest weather.

- Benches
- Storage boxes
- Slides
- Swim Ladders
- Bumpers
- Cleats



More information  
on accessories

ACCESSORIES

# GANGWAYS, RAMPS & RAILINGS



More information  
on gangways



# SAFETY & ACCESS

*Anywhere*

Uncompromisable durability and modular versatility. Gangways are manufactured from aluminum or polyethylene. EZ Dock modular railings are safe, secure, and conform to all States Organization for Boating Access (SOBA) and Americans with Disabilities Act (ADA) guidelines. Railing sections are available in a variety of lengths and profiles designed to provide safety and security with minimal obstruction.



More information  
on railings



# American Made

- Proudly made in America for 30 years
- Designed and Manufactured in Monett, Missouri
- Offices in Huntersville, North Carolina and Dallas, Texas



## THE *Best* WORLDWIDE DISTRIBUTOR NETWORK IN THE INDUSTRY



The EZ Dock global network of highly trained and knowledgeable dealers and distributors is ready to help. Our experienced team is standing by to help you choose a system that will maximize your space and suit your specific application.



# THE PLAYPOWER *Advantage*

In addition to having the world's best distribution network, EZ Dock, Inc is a wholly owned subsidiary of PlayPower.

As the global leader in playground manufacturing, PlayPower designs, manufactures, and installs over 30,000 recreational structures every year in over 200 countries. As a company, we leverage the innovation from each of our brands to create the most unique, cutting-edge, and highest quality play experiences inspired from locations around the world. When you partner with a PlayPower company, you're not just working with a single business. You're drawing from wealth of experience from 11 brand leaders in the indoor and outdoor play, site amenities, water, and safety surfacing industries.



**11** Industry Leaders   **200** Countries Served   **1800** Employees Worldwide   **1** Safety is Priority #1   **15** Facilities Worldwide



Company Owned Manufacturing



Custom Product Engineering



Project Management



Unmatched Quality



Superior Design



Installation & Maintenance



Ready to start your Dock Life?  
Fill out our online form at [ez-dock.com/contact-form](https://ez-dock.com/contact-form)  
or call us to find your local EZ Dock dealer

More information



US/Canada 1-800-654-8168  
Europe +46 (0) 380 47 300  
International +1 888-654-8168



DOCK *Life*

EZ Dock product is produced in our Monett, MO facility which is certified by Intertek for ISO 9001:2015 quality management system and ISO 14001: 2015 environmental management system.

EZ Dock may introduce new colors, products, accessories, and options throughout the year. Specifications and products listed are subject to change without notice. Some products may be shown with additional or optional equipment not available through EZ Dock. Specifications may vary for international shipments. Please check with your local dealer for more information. EZ Dock is a product of the U.S.A.

EZ Dock, Inc | 878 HWY 60, Monett, MO 65708 | 417-235-2223 | 800-654-8168

© 2023 EZ Dock, Inc. All rights reserved.